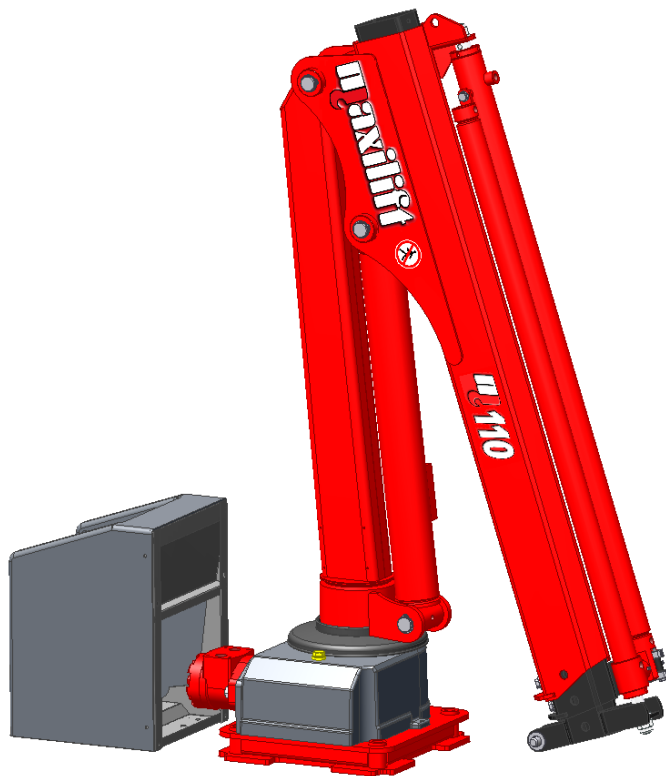




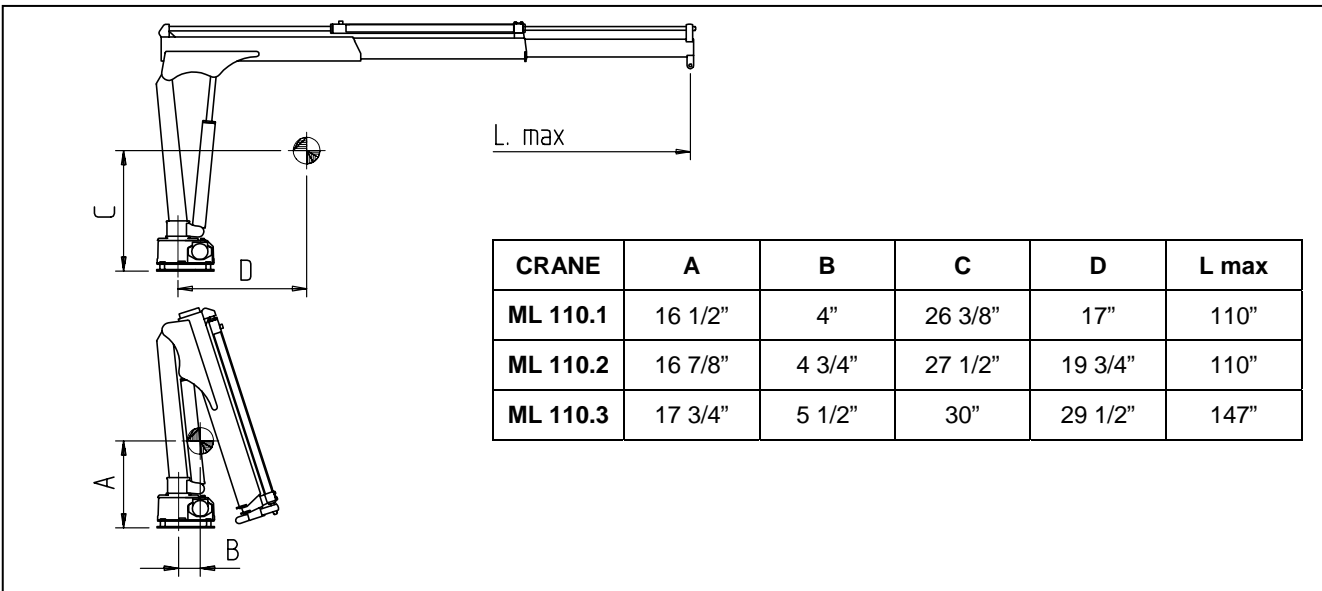
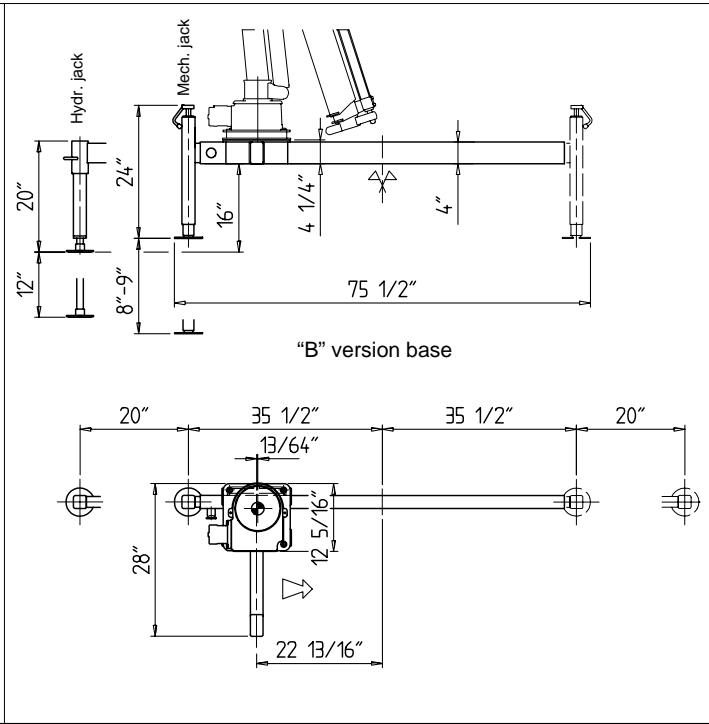
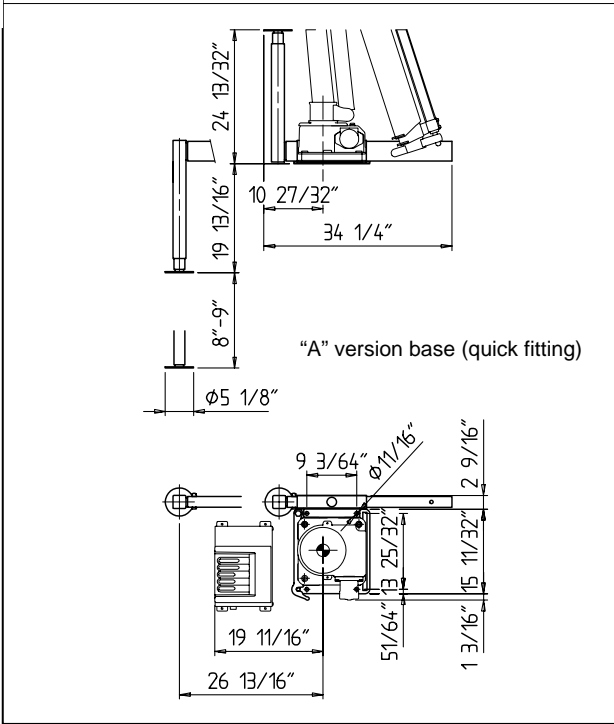
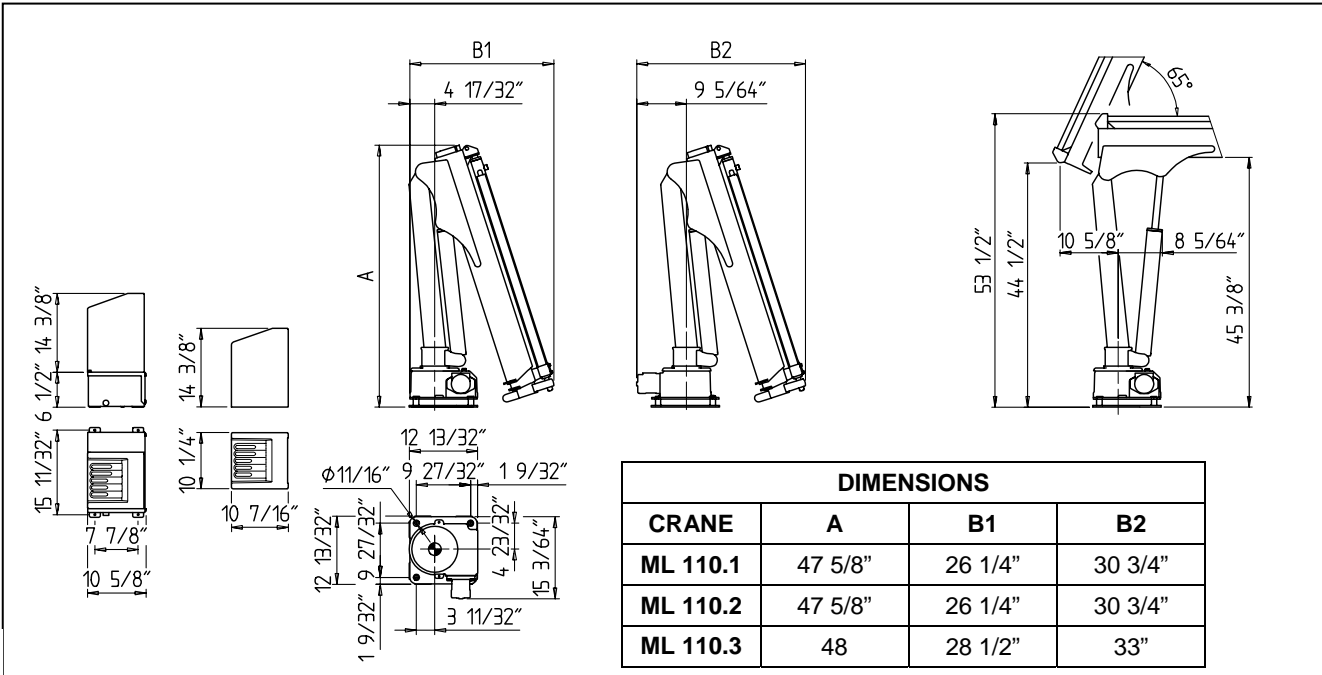
TECHNICAL SHEET



MU 110

Cod.: MP.0.164 US
Rev.: 0





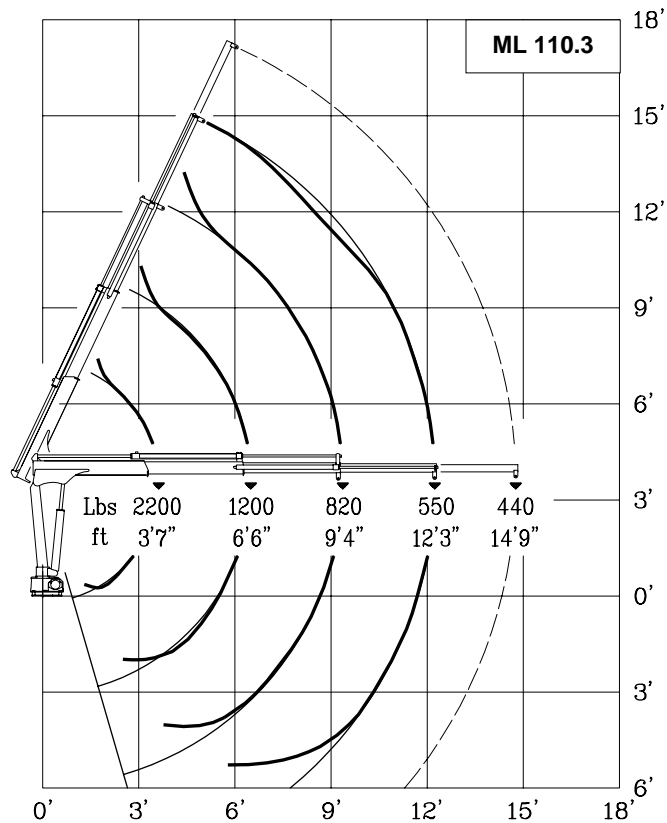
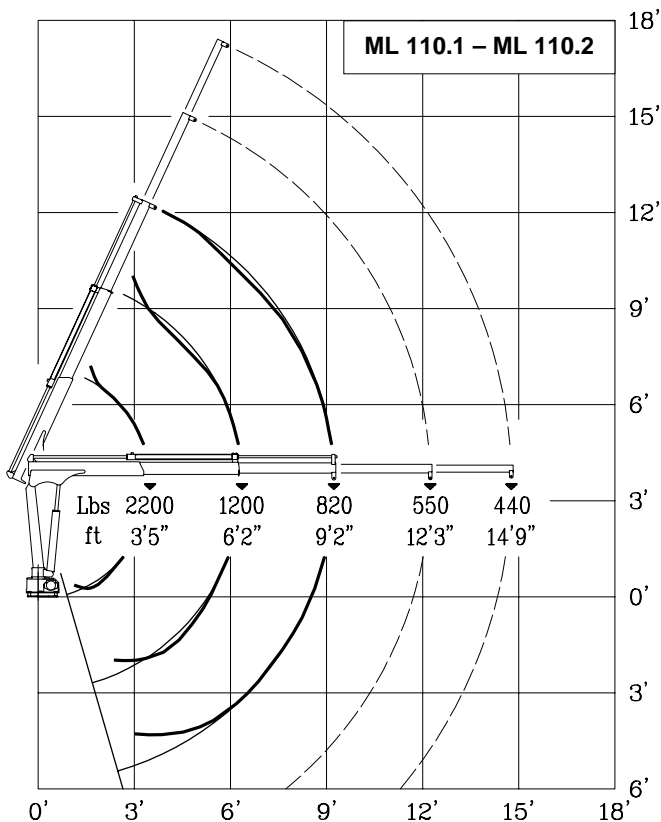
TECHNICAL DATA	U.M.	VERSION		
		ML 110.1 ERS-H	ML 110.2 ERS-H	ML 110.3 ERS-H
CRANE RATING	ft lbs	7400		
STANDARD EXTENSIONS Nr (HYDRAULICS)	N°	1H+1M	2H	3H
STANDARD OUTREACH	ft	9' 2"	9' 2"	12'3"
SLEWING ANGLE	°	330°		
MAXIMUM ANGLE SLOPE	°	5°		
SLEWING TORQUE	ft lbs	885		
MAX. LIFTING HEIGHT FROM CRANE BASE	ft	11' 2"	11' 2"	14'5"
SUGGESTED OIL FLOW	gpm	1÷1.6		
MAX. WORKING PRESSURE	p.s.i.	2900		
BASIC CRANE WEIGHT	lbs	VERS. "H" 230	275	340
VERS. "E" 275		320	385	
"A" VERS. BASE WEIGHT (QUICK FITTING , 1 MECH. JACK)	lbs	90		
"B" VERS. BASE WEIGHT WITH EXTENDABLE STABILIZERS	lbs	140÷195		
BEAM WEIGHT WITH 2 EXTENDABLE STABILIZERS	lbs	130÷135		
MOTOR ABSORPTION FOR ELECTROHYDR. CRANE 12V	A min/max	70/160	70/160	70/160
MOTOR ABSORPTION FOR ELECTROHYDR. CRANE 24V	A min/max	35/75	35/75	35/75

WINCH SPECIFICATIONS	U.M.	
MAX. WINCH SINGLE LINE CAPACITY (3 rd LAYER)	lbs	660
ROPE DIAMETER	inches	7/32"
ROPE LENGTH	ft	39' 4"
WINCH KIT WEIGHT	lbs	33

VERSION	DESCRIPTION
"ERS" 12/24V	ELECTROHYDRAULIC
"H"	HYDRAULIC

OPERATING TIMES										
VERS.	SLEWING (rpm)	LIFTING (sec)		LOWERING (sec)	EXTENSION OUT (sec)			EXTENSION IN (sec)		
		p min	p max		110.1	110.2	110.3	110.1	110.2	110.3
"ERS" 12/24	2.5	13	30	14	7	18	25	5	13	18
"H" (PTO)	2.5	13		14	7	18	25	5	13	18

p min: min. working pressure
p max: max. working pressure



Lifting class HC1 – HD4/B2



by Next Hydraulics Via Mediterraneo n°6, 42022 Boretto (R.E.) Italy

Tel.: +39.0522.963008, Fax.: +39.0522.963039 <http://www.maxiliftcrane.com> E-mail: info@maxiliftcrane.com