

# 2060

2,000 lbs capacity

ELECTRIC



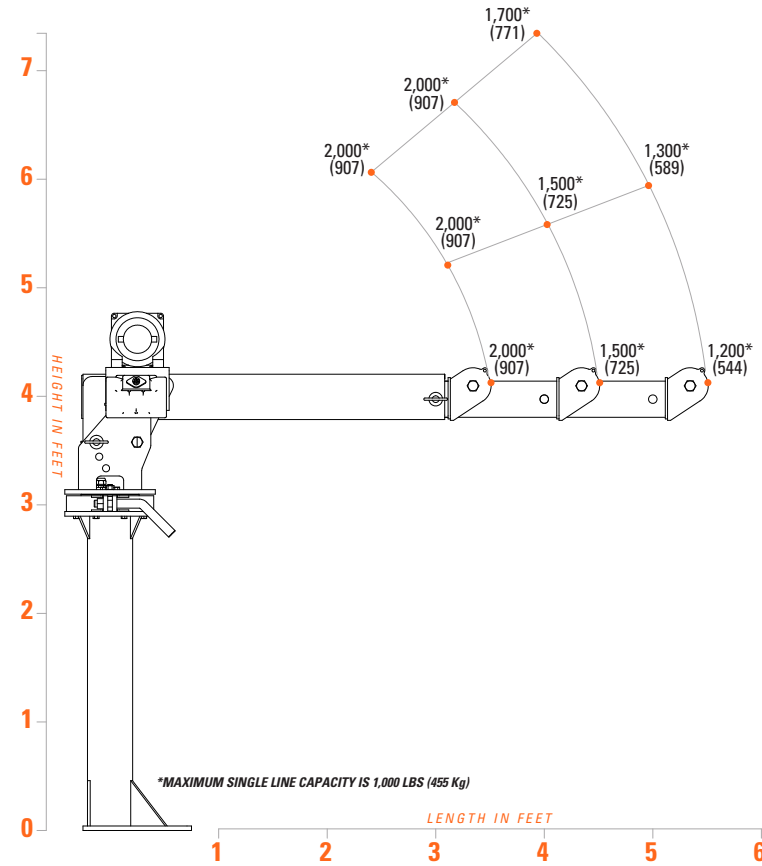
### STANDARD FEATURES

- 2,000 lb Lift Capacity
- 5 ft of Manual Reach
- 12 V DC Electric Planetary Winch
- 12 ft Corded Remote
- 360° Continuous Rotation with Manual Band Brake
- Self Storing

### SPECIFICATIONS

- 6,000 ft-lb Crane Rating
- 6 ft Lifting Height
- 3-4-5 ft Manual Boom Extension
- 0-21-45 Boom Elevation
- 23.5 FPM Winch Speed
- 3/16" x 40 ft Cable
- 280 lbs Operating Weight
- 12" x 12" Mounting Space Req'd
- 57" Storage Height
- 47" Storage Length, 20" with boom folded

### LOAD CAPACITIES



STORAGE POSITION

21° BOOM ELEVATION

40° BOOM ELEVATION



Slew bearing for easy rotation and manual band brake



Detachable 12 ft Corded Remote